



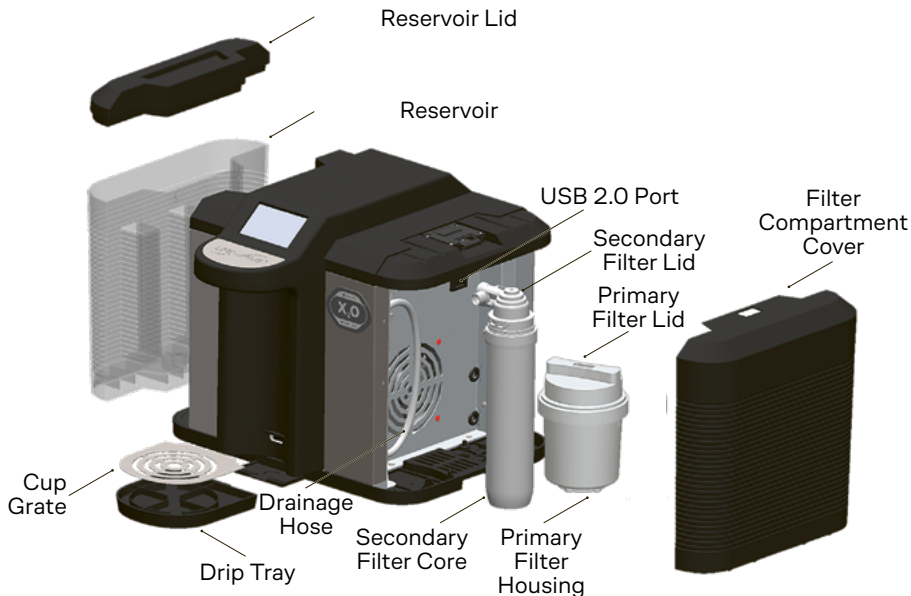
# QUICK START GUIDE

[www.lifewave.com](http://www.lifewave.com)

## QUICK START GUIDE

This quick start guide is designed for first-time setup only. For full product details, refer to the user manual.

## COMPONENT OVERVIEW



## WHAT COMES IN THE BOX

- LifeWave X<sub>2</sub>O System and all its components
- Primary Filter Media
- Secondary Filter Core
- Power Cable
- Quick Start Guide
- User Manual & Warranty Information
- “Save the Packaging” Card
- USB 2.0 flash drive and adapter

## BEFORE YOU START

### Permitted Water Types

Only **Tap Water, Spring Water, Filtered Water, Distilled Water, or Lite Water (Deuterium-Depleted Water)** are approved for use. Do not use any other water types.

### Setup Area

Prepare a stable surface near a power outlet and allow at least 2 inches of clearance behind the system for ventilation.

### Operating Environment

For optimal performance, operate the LifeWave X<sub>2</sub>O in ambient temperatures between 60°F and 80°F (16°C to 27°C).

### Drain Access

Ensure access to a kitchen sink or keep a bucket available for the drain hose.

### Water Required

Have 5 gallons / 19 L of water ready for the initial flushing and preparation steps.

### Setup Time

Plan for 45–60 minutes to complete the full setup.

## UNBOXING YOUR LIFEWAVE X<sub>2</sub>O

1. Remove your LifeWave X<sub>2</sub>O from its protective packaging and place it on a flat, stable countertop. Retain all packaging materials, as they may be needed for return or service requests.

## INSTALL THE FILTERS

### 2. Primary Filter Installation


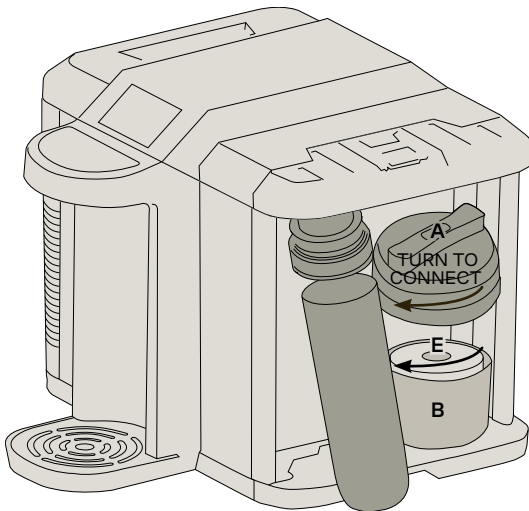
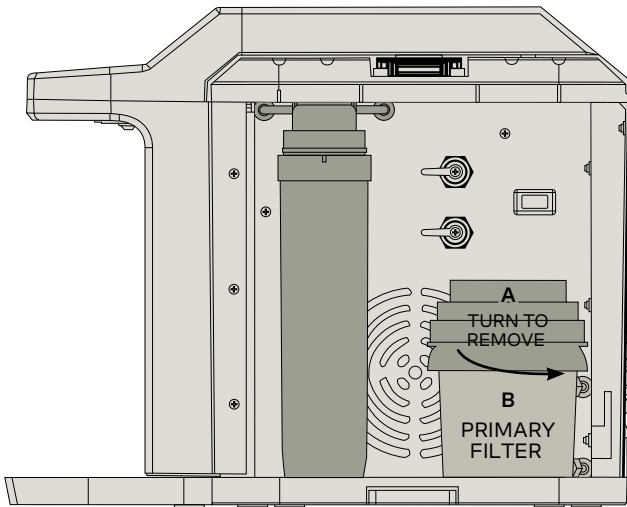


- a. Remove the filter compartment cover.
- b. Locate the primary filter media (E) inside the filter compartment, then remove and discard the protective plastic bag.
- c. Locate the removable filter lid (A) and the fixed filter housing (B). Unscrew the lid to open .

FIG 1. PRIMARY FILTER INSTALLATION



- d. Insert the filter media (**E**) into the housing (**B**) with the visible threaded end facing downward, then screw it into the housing  until secure.
- e. Screw the lid back on  and tighten.

### 3. Secondary Filter Installation

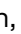
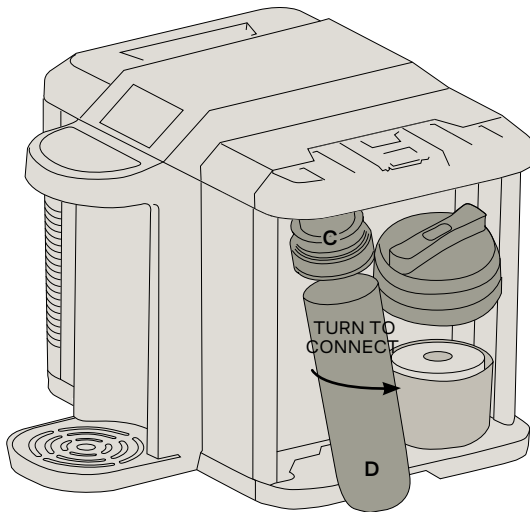
- a. Locate the mounted filter lid (**C**) and remove the plastic cap from the elongated filter core (**D**).
- b. Align the filter core (**D**) with the mount, press upward to engage the connection, and screw the core into place  until firmly secured.
- c. Ensure the filter core is fully tightened and properly seated.

FIG 2. SECONDARY FILTER INSTALLATION



## POWER ON

4. Plug the power cable into the back of the system, then connect it to a power source. The system will turn on automatically, and the touchscreen will illuminate. Before continuing with setup, check for the latest firmware version and complete any available update by following the Updating Firmware section in the User Manual.

## FLUSH THE FILTERS

5. Access the coiled drain hose inside the filter compartment and position it so water can drain safely into a sink or bucket.
6. **Flush Primary Filter**
  - a. On the touchscreen, navigate to **Settings**, then select **Flush Filter**, followed by **Flush Primary**, and follow the instructions.

FIG 3. NORMAL OPERATION PRIMARY FILTER

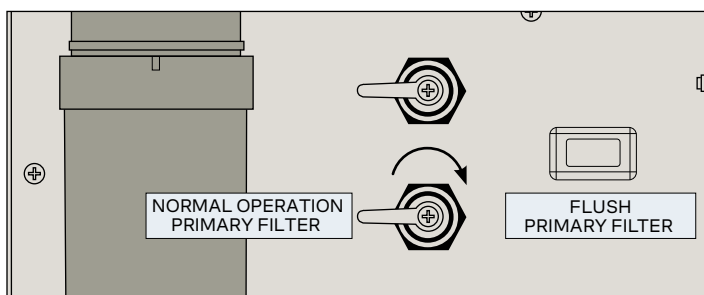
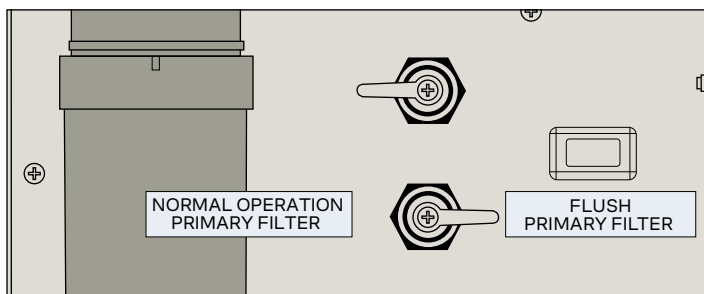


FIG 4. FLUSH PRIMARY FILTER



- b. Locate the valve for the primary filter. Swivel the valve handle from **Normal Operation Primary Filter** to **Flush Primary Filter**.
- c. Each valve is specific to its filter. Make sure the primary filter valve is adjusted correctly before continuing.
- d. Add one of the approved water types to the reservoir as prompted. As the water level drops, refill as needed; keeping a filled water pitcher nearby will make this step easier. The system will draw water through the filter and release it through the drain hose. Discard the flushed water. Do not pour it back into the reservoir.

- e. When the touchscreen indicates that the primary filter flush is complete, swivel the valve handle back to **Normal Operation Primary Filter**. If the valve is not returned to its normal operating position, the unit may not operate correctly and water leakage may occur.
- f. You have now completed the primary filter flush. Proceed to **Flush Secondary Filter**.

Note: If using a bucket to collect discarded water, it's advised to empty the bucket before proceeding with flushing of the secondary filter.

## 7. Flush Secondary Filter

- a. On the touchscreen, select **Flush Secondary**, and follow the instructions.

FIG 5. NORMAL OPERATION SECONDARY FILTER

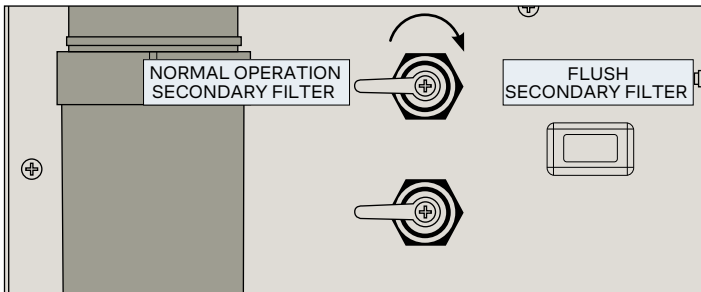
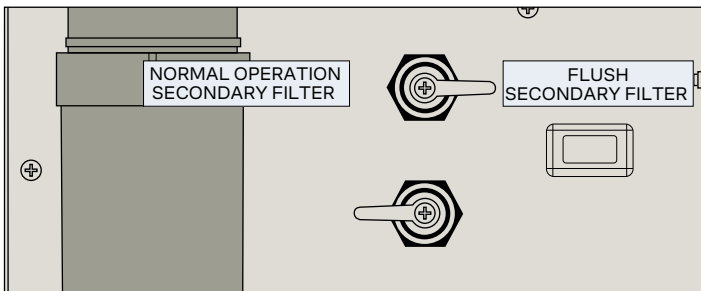
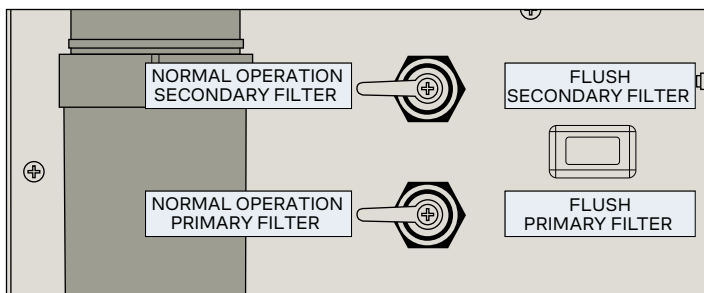


FIG 6. FLUSH SECONDARY FILTER



- b. Locate the valve for the secondary filter. Swivel the valve handle from **Normal Operation Secondary Filter** to **Flush Secondary Filter**.
- c. Each valve is specific to its filter. Make sure the secondary filter valve is adjusted correctly before continuing.
- d. Add one of the approved water types to the reservoir as prompted. As the water level drops, refill as needed; keeping a filled water pitcher nearby will make this step easier. The system will draw water through the filter and release it through the drain hose. Discard the flushed water. Do not pour it back into the reservoir.
- e. When the touchscreen indicates that the secondary filter flush is complete, swivel the valve handle back to **Normal Operation Secondary Filter**. If the valve is not returned to its normal operating position, the unit may not operate correctly and water leakage may occur.
- f. Ensure both filter valves are in the normal operation position before proceeding.

FIG 7. NORMAL OPERATION POSITION PRIMARY AND SECONDARY FILTERS



- g. Coil the drain hose and place it back inside the system, ensuring it is secure. Allow any remaining water inside the hose to evaporate before storing.
8. Reattach the filter compartment cover.
9. Click the **Return** ↩ arrow in the upper-left corner of the screen to exit the settings menu and start a treatment cycle.

## TREATMENT CYCLE

### 10. Filtration and Processing

- a. Fill the reservoir with one of the approved water types until it is nearly full, leaving approximately a 1-inch gap below the top to prevent spilling or splashing during use.
- b. The system will automatically draw water from the reservoir to perform dual-stage filtration, hydrogen enrichment, and the light-infusion process.
- c. The system can process two 450 mL / 15 oz glasses of water at the same time, but each one is processed independently. A 45-minute treatment cycle begins as soon as a glass is dispensed. Because the glasses can be dispensed at different times, each will have its own 45 minute treatment timeline. The display shows the remaining time for the next glass that will be ready to dispense.

### 11. Dispensing Water

- a. When treatment is complete, the touchscreen will indicate that the water is ready.
- b. Place a glass (minimum 500 mL / 16 oz) under the dispensing outlet and press **Dispense**. Depending on the shape or size of your glass, you may need to position it closer to the sensor wall to activate dispensing.
- c. The dispensing process can be paused, resumed, or canceled from the screen. If canceled it'll refill as needed and restart a new 45-min treatment.
- d. Repeat the dispense step for a second glass.

### 12. Processing Additional Glasses

- a. Maintain sufficient water in the reservoir to allow the system to automatically prepare additional glasses.

## CONSUMING THE WATER

For best results, consume the light-infused™ water immediately after dispensing. It is recommended to drink the water on an empty stomach for maximum benefits. Use a glass to serve the water, as other materials are not recommended. The light-infused water may also be mixed with Cellergize supplements if desired.

By following these instructions, you can ensure a seamless experience with your LifeWave X<sub>2</sub>O light-infused water.



## CONTACT US

LifeWave, Inc.  
13893 Minuteman Drive, Suite 500  
Draper, UT 84020, USA

FAQs: [www.lifewave.com](http://www.lifewave.com)

For additional support, email: [customerservice@lifewave.com](mailto:customerservice@lifewave.com)

Warranty Support & Extended Warranty Purchases: **+1 (866) 202-0065**

